

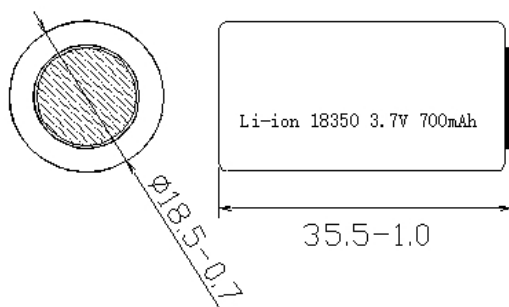


Mode: Energig 18350 EC-18350HP
 700 mAh (20C)
 High drain
 Size: 18350

Energig is a brand of ENERan GmbH
 Zentrum für Mikrosysteme und Materialien
 Max-Planck-Str. 3
 D-12489 Berlin
 Germany

Phone: +49 – (0)30 – 6392-80400

1. Product assembly drawing and size



2. Specification

NO.	Item	Specifications
2.1	Typical Capacity	720mAh @ 0.2C Discharge
	Minimum capacity	700mAh @ 0.2C Discharge
2.2	Nominal voltage	3.7V
2.3	Standard Charge	CC/CV, 0.2C5A, 4.20V
2.4	Standard Discharge	CC, 0.2C5A, 3.00V
2.5	End-of-charge Voltage	4.20V±0.05V
2.6	End-of-charge Current	0.01C5A (At CV mode)

2.7	End-of-discharge Voltage	3.00 V				
2.8	Charging Time	8.0hours (standard charge)				
2.9	Quick Charge Current	700mA (1.0C5rate)				
2.10	Quick Discharge Current	7000mA (10.0C5rate)				
2.11	Max Discharge Current	14000mA (20.0C5rate)				
2.12	Initial Impedance	Max:35m Φ				
2.13	Weight	Approx: 20.0 \pm 2g				
2.14	Operating temperature	Charging: 0 $^{\circ}$ C~45 $^{\circ}$ C Discharging: -20 $^{\circ}$ C~60 $^{\circ}$ C				
2.15	Storage temperature	-5 $^{\circ}$ C~35 $^{\circ}$ C				
2.16	Storage Humidity	\leq 75% RH				
2.17	Appearance	Without scratch, distortion, contamination and leakage				
2.18	Standard environmental condition	Temperature: 25 \pm 5 $^{\circ}$ C Humidity: 45-75%RH Atmospheric Pressure: 86-106 KPA				
4.19	Temperature Dependence of Discharge Capacity @ 0.2C Discharge					
	Charge temperature	Discharge temperature				
	25 $^{\circ}$ C	-10 $^{\circ}$ C	0 $^{\circ}$ C	15 $^{\circ}$ C	25 $^{\circ}$ C	40 $^{\circ}$ C
	Relative Capacity	50%	80%	90%	100%	80%